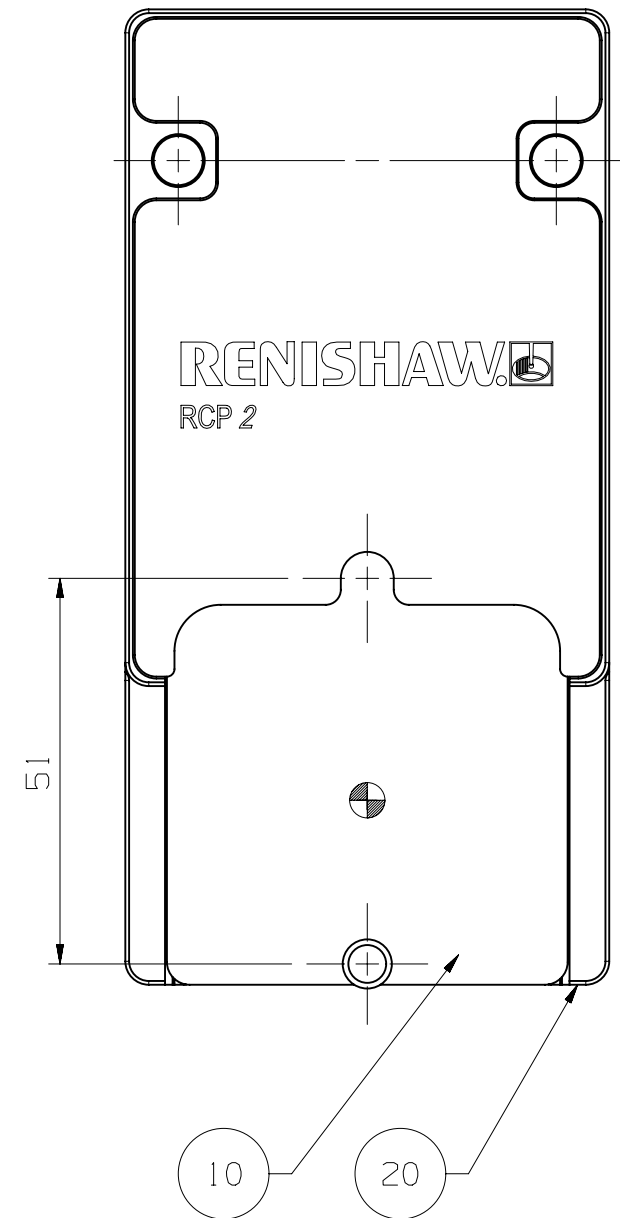
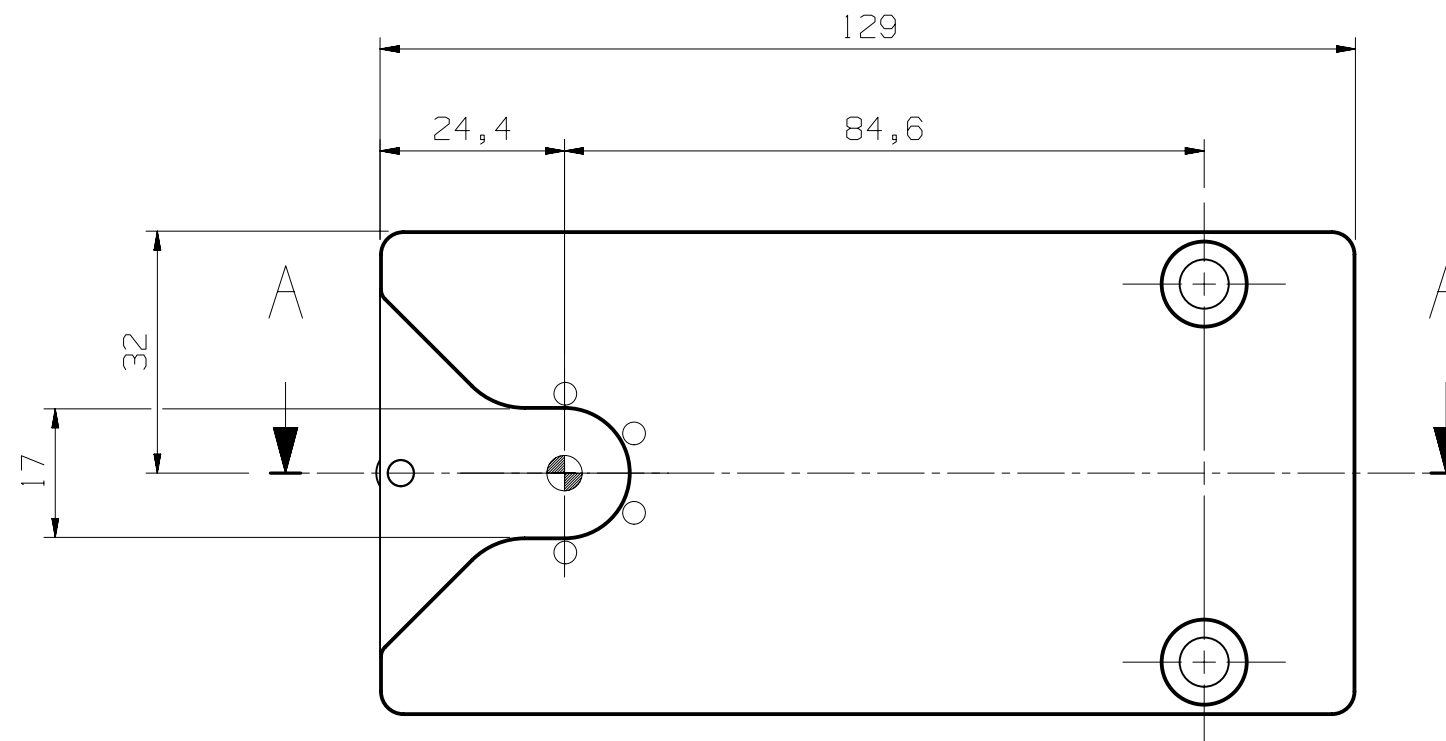
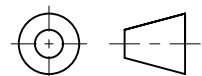


SECTION A - A



SEE DESIGN STANDARD DS336 FOR DEFINITION OF SYMBOL.  
UNLESS OTHERWISE STATED :  
ALL DIMENSIONS IN MILLIMETRES TOL.  $\pm 0,25$  ANGLES  $\pm 2^\circ$   
REMOVE SHARP CORNERS - CHAMFER OR R0,5 MAX.  
INTERNAL RADII 0,5 MAX. SURFACE TEXTURE -  $Ra 3,2$   
THREADS TO BS 3643 6g/6H.  
DRAWING PRACTICE TO BS 8888

3rd ANGLE PROJECTION



DO NOT SCALE

TITLE

RCP2 ASSEMBLY

MATERIAL TYPE CODE

R- \_\_\_\_\_

MATERIAL

\_\_\_\_\_

ISSUE No.  
69035

DRAWN BY  
RT

DRAWN DATE  
JUL 11

SHEET  
1 OF 1

CHECKED  
BH

CONFIDENTIAL. THIS DRAWING IS THE PROPERTY OF © RENISHAW plc, AND MAY NOT BE COPIED OR USED FOR ANY PURPOSE, OTHER THAN THAT FOR WHICH IT IS SUPPLIED, WITHOUT THE EXPRESS WRITTEN AUTHORITY OF RENISHAW plc.

**RENISHAW®**

Wotton - under - Edge  
Glos. England.  
GL12 8JR

SCALE  
U.O.S.  
1:1

DRAWING No.  
LA - 3061 - 2300 - B

SHEET	1	TITLE	DRG. No.
CONT. ON NEXT SHT.		RCP2 ASSEMBLY	LA-3061-2300

MOD. ISS.	DETAILS OF CHANGE	CIN	SIGN DATE
B	FIRST ISSUE MODEL: GEOMETRY EQUIVALENT TO A-3061-2300-01	69035	RT JUL 11

RENISHAW

DRAWING MODIFICATION SHEET